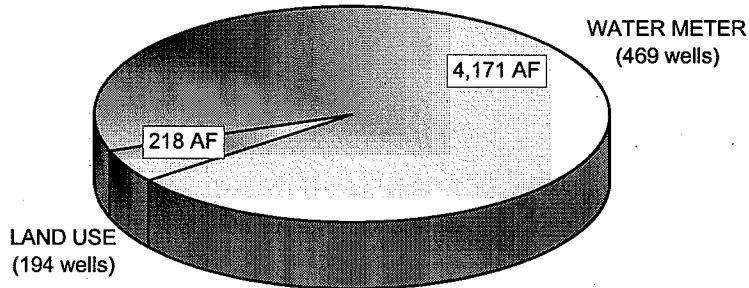


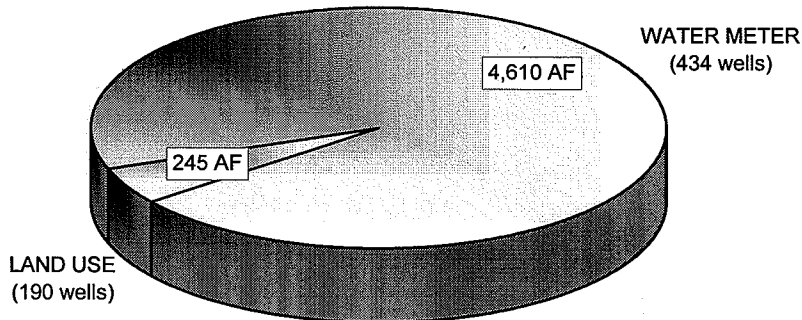
MONTEREY PENINSULA WATER MANAGEMENT DISTRICT

**District-Wide
Active Non Cal-Am Wells and Water Production
by Reporting Method in WY 2003**



TOTAL WY 2003 PRODUCTION = 4,389 ACRE-FEET
(not including 36 AF of reported surface water diversions)

**District-Wide
Active Non Cal-Am Wells and Water Production
by Reporting Method in WY 2002**



TOTAL WY 2002 PRODUCTION = 4,855 ACRE-FEET
(not including 68 AF of reported surface water diversions)